

Int. Cl.⁷ B41J 2/455 , G03G 15/00

- / 10-1993-0025638 (1993.11.29)
- / 10-1995-0013727 (1995.06.15)
- / 10-1997-0002104 (1997.02.22)
- / 10-0120348-0000 (1997.08.18)

/ ()

/

/

/ 1993.11.29 / 1

** ()

/

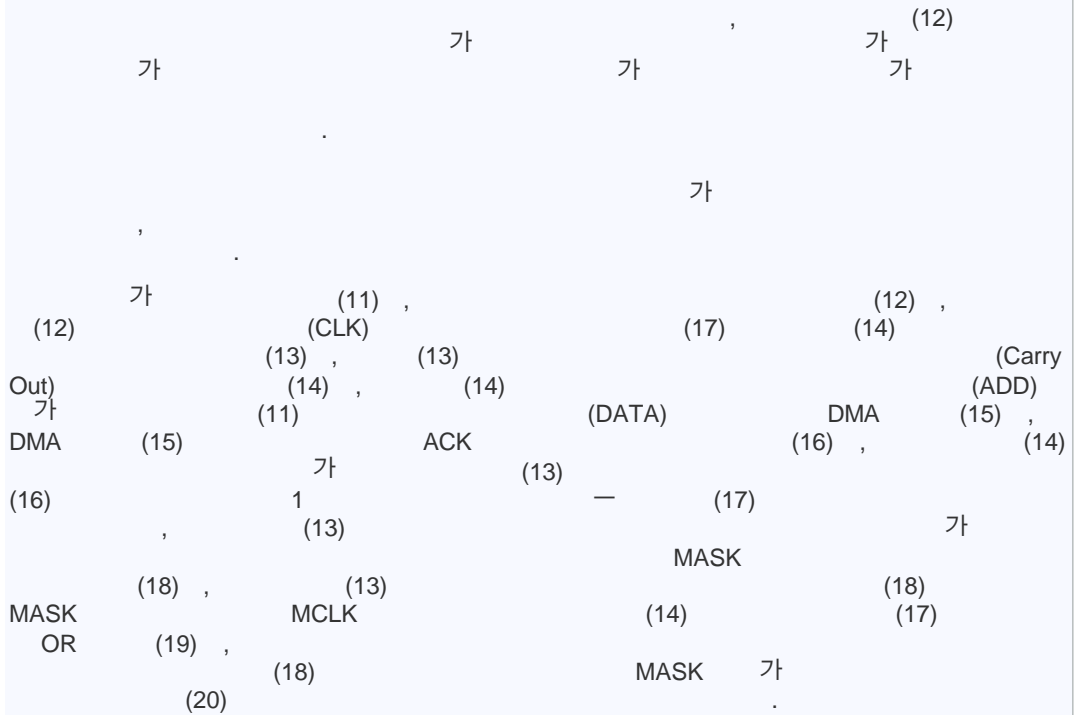
* ****_** ()

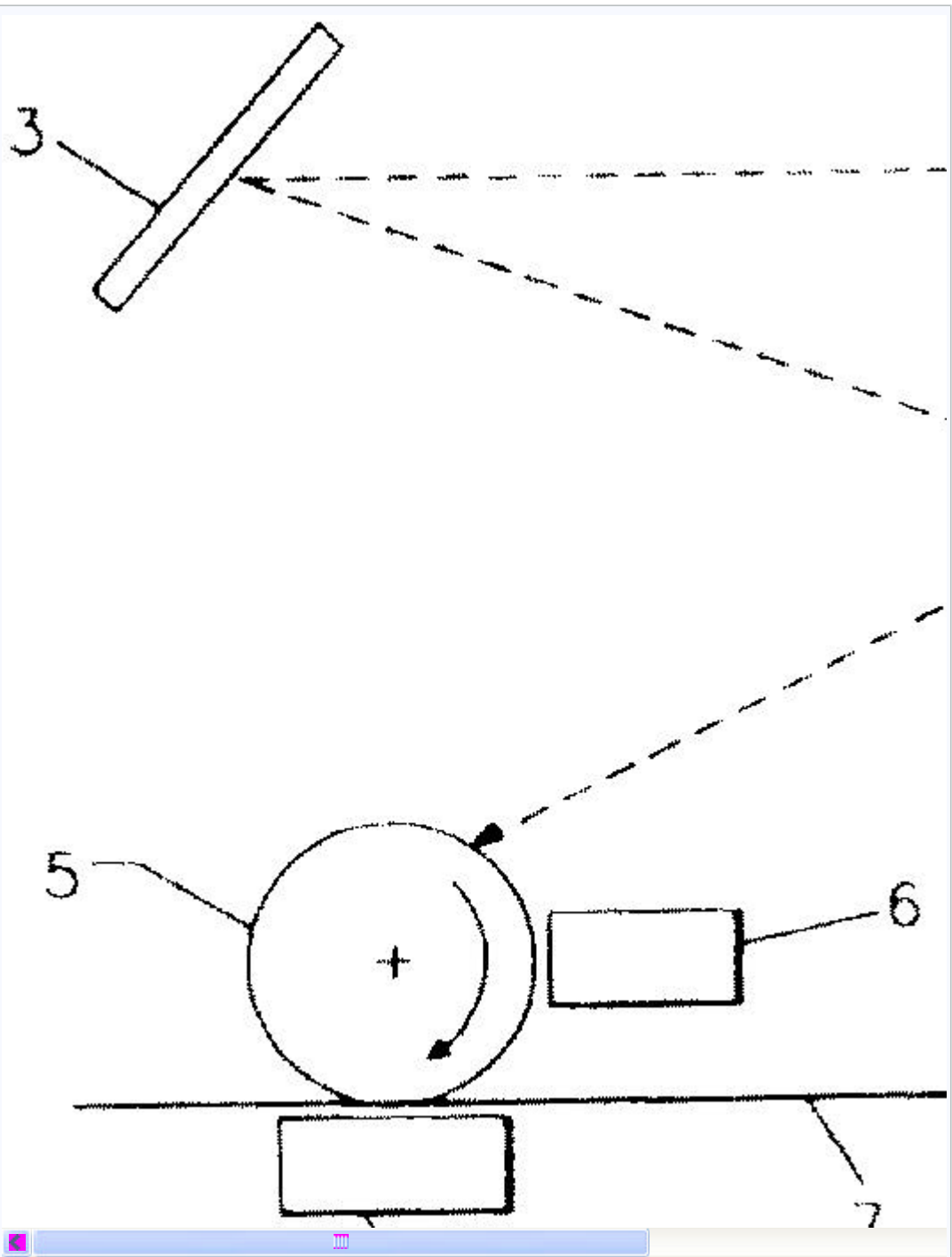
831 1405 () ()

832-7 1810 () ()

(가 /)

(HORIZONTAL RESOLUTION CONVERTING APPARATUS)





111993013035062	(19931129)	()
111993013035118	(19931129)	()
111993013035253	(19931129)	()
151993005971280	(19931218)	()
111993013035309	(19950508)	() ()
151993005971325	(19970125)	() ()
151993005971471	(19970527)	()

411999000843716	(19990118)	()	()
412000003342065	(20000315)	()	()
412001003611111	(20010329)	()	()
412002503056615	(20021022)	()	()