

Int. Cl.<sup>6</sup> B41J 2/01

/ 10-1997-0037927 (1997.08.08)  
 / 10-1999-0015678 (1999.03.05)  
 / - - (1999.09.01)  
 / 10-0218478-0000 (1999.06.10)

/  
 ( )

/

/

/ 1997.08.08 / 4

\*\* ( )

/

\*\*\* \*\*\*\* ( )

200 ( )

( 가 / ) -

(PRINT CONTROL METHOD AND APPARATUS OF INKJET PRINTER)

가

가

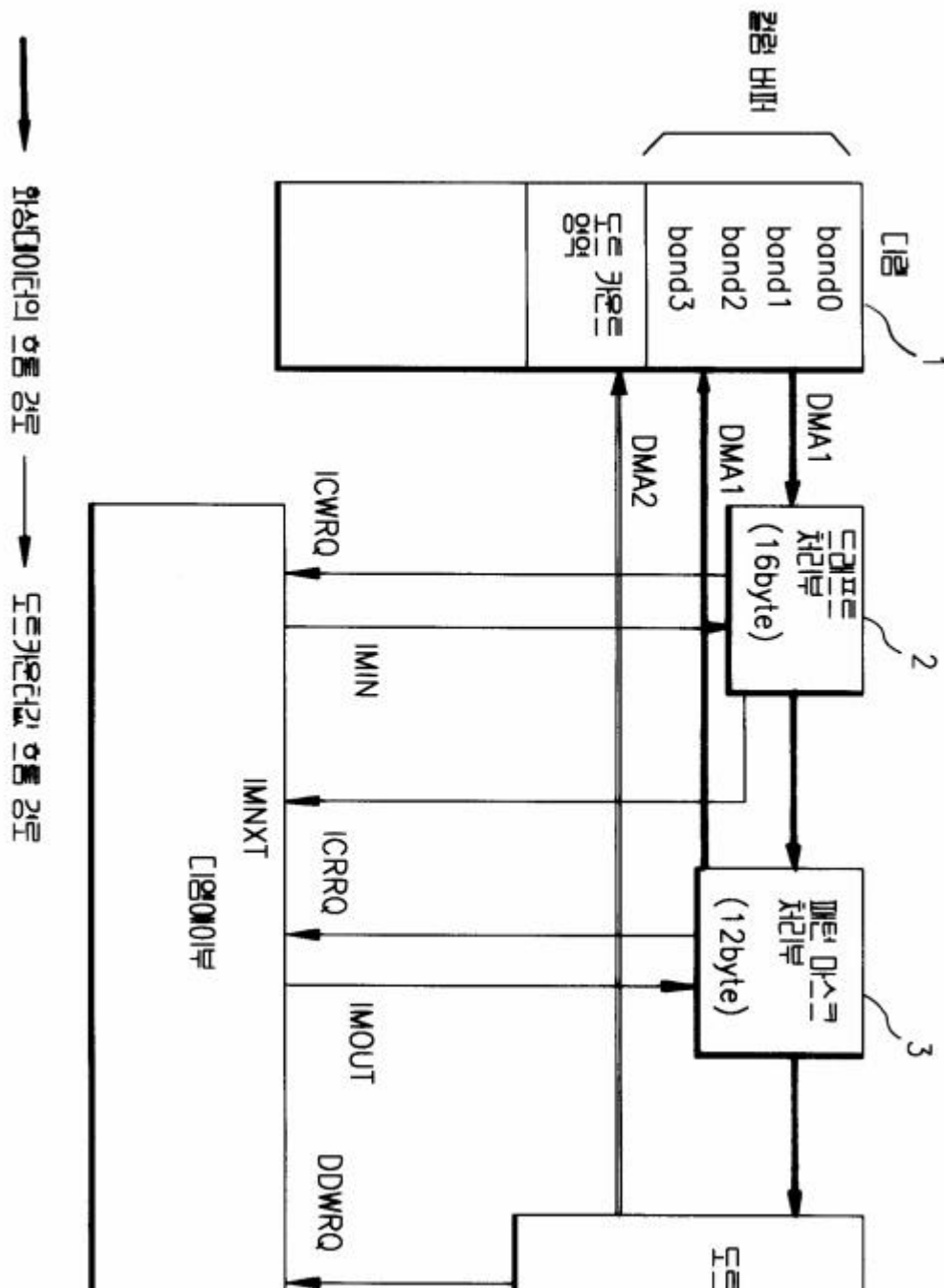
가

가

1

;

2



111997012112207	(19970808)	( )	( )
111997012112342	(19970808)	( )	( )
111997012112498	(19970808)	( )	( )
151997003828115	(19971004)	( )	( )
411999000843716	(19990118)	( )	( )
951999014162499	(19990430)	( )	( )
412000003342065	(20000315)	( )	( )

412001003611111	(20010329)	( )	( )
412002503056615	(20021022)	( )	( )