

Int. Cl.⁶ H04N 1/00

/ 10-1992-0019503 (1992.10.23)
 / 10-1994-0010645 (1994.05.26)
 / - - (1999.11.15)
 / 10-0231209-0000 (1999.08.27)

/
 ()

/

/

/ 1997.06.10 / 1

/ ** ()

/ * **_** ()

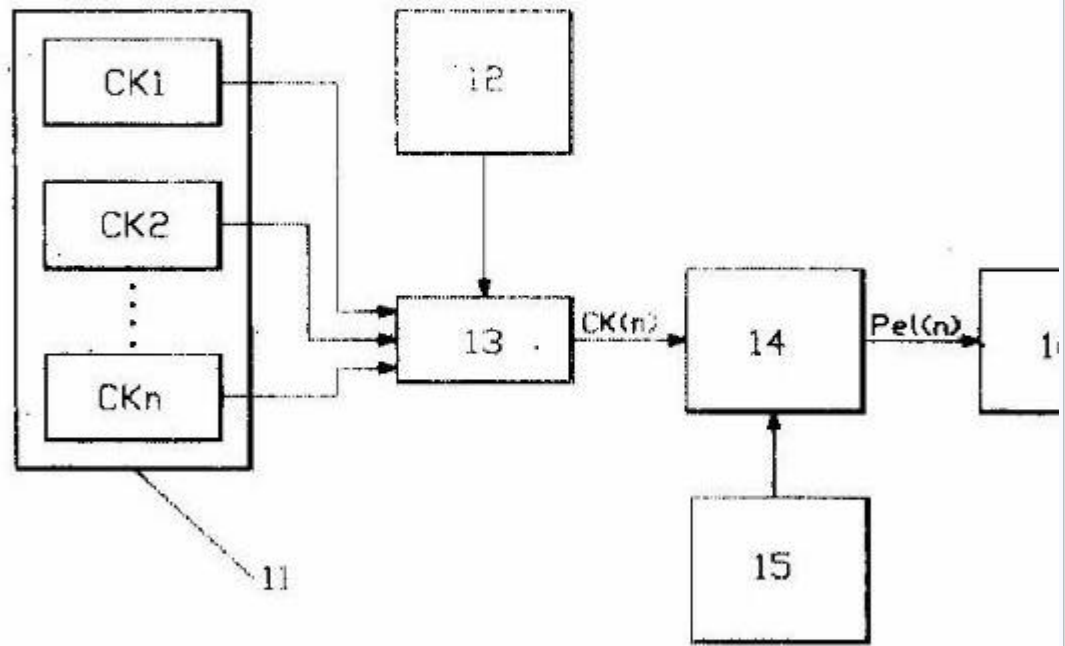
831 1405 () ()

832-7 1810 () ()

(가 /)

(IMAGE OUTPUT APPARATUS)

2 가 (5) 가 가 , (4) (dither)
 가 가
 , ,
 (11) (12) , (11) (12) (13) ,
 (13) (14) , (15) (16)



111992010690368	(19921023)	()	()
111992010690414	(19921023)	()	()
111992010690559	(19921023)	()	()
111992010690605	(19970610)	()	()
111992010690740	(19970610)	()	()
111992010690896	(19980707)	()	()
411999000843716	(19990118)	()	()

951999017304748	(19990529)	()	()
991999008849836	(19991001)	()	()
412000003342065	(20000315)	()	()
412001003611111	(20010329)	()	()
412002503056615	(20021022)	()	()